

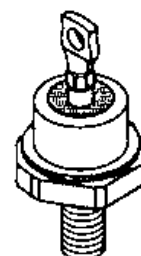
### Description:

The SES816 and SES817 are High Power and High Temperature Rectifiers packaged in a hermetic sealed DO-5 package ideally suited for applications where high reliability is required.

**High Temperature Operation  
70 Amps Current  
High Reliability**

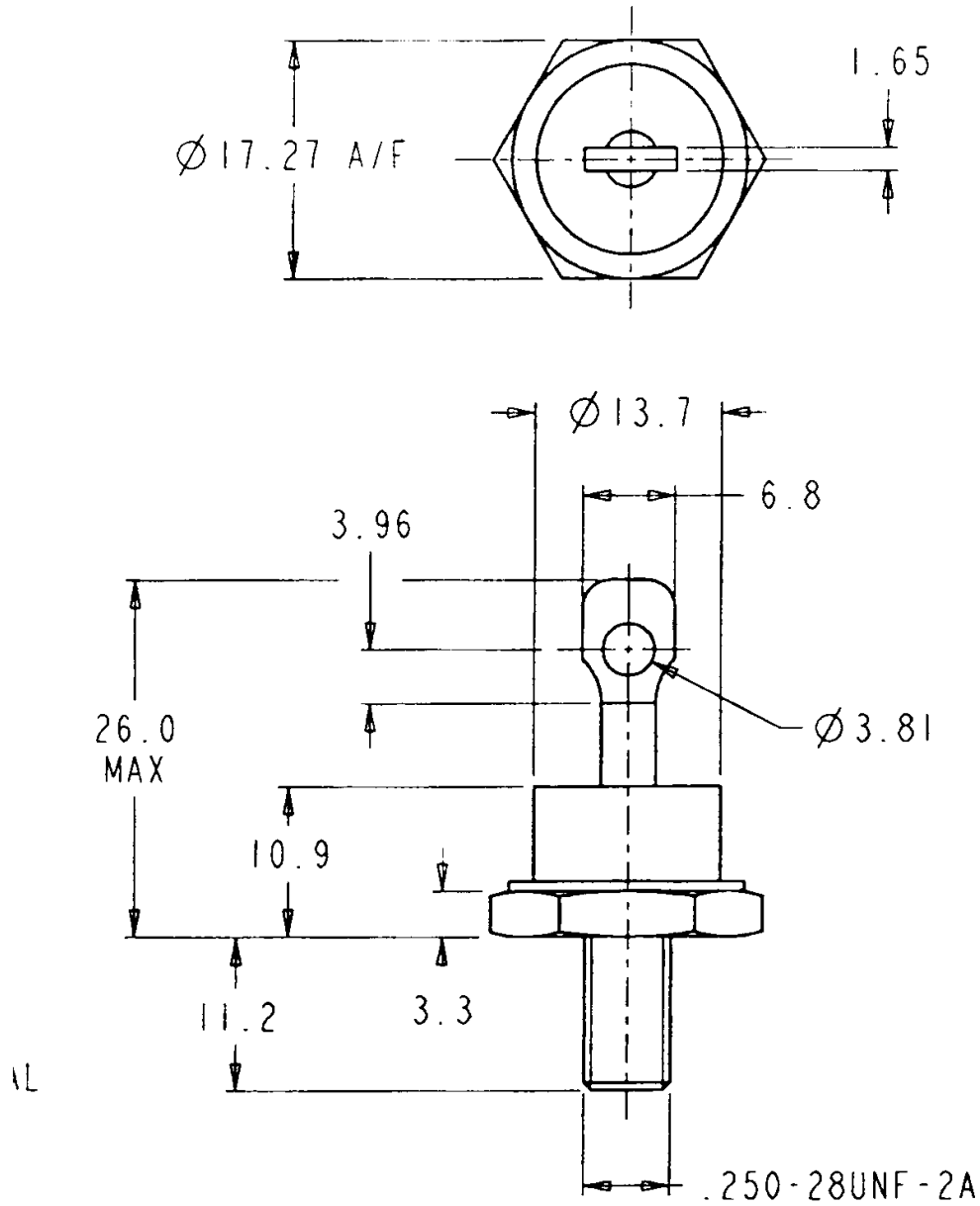
### Features

- Hermetic Package
- High Temperature Operation
- Low Forward Voltage
- High Surge Current Capability



### **Maximum Ratings @ 250° C unless otherwise indicated**

PARAMETER	CONDITION	SYMBOL	RATING
Average on-state current	Half sine wave 200°C stud temperature	$I_{F(AV)}$	70A
RMS current, maximum		$I_{RMS}$	110A
DC forward current	200°C stud temperature	$I_F$	87A
Peak one-cycle surge (non-Repetitive) of forward current	10ms duration 60% $V_{RRM}$ re-applied $V_R \leq 10$ volts	$I_{FSM}$	700A 805A
Maximum permissible surge energy	10 ms duration 60% $V_{RRM}$ re-applied $V_R \leq 10$ volts 3ms duration 60% $V_{RRM}$ re-applied	$I_t^2$	2450A <sup>2</sup> s 3240A <sup>2</sup> s 1790A <sup>2</sup> s
Repetitive voltages		$V_{RWM}/V_{RRM}$	400V
Non-repetitive voltage		$V_{RSM}$	500V
Peak forward voltage drop	@ 220A	$V_F$	1.2V
Peak reverse current	@ $V_{RRM}$	$I_R$	20mA
Max junction operating temperature		$T_J$ (Max)	+250°C
Storage temperature range		$T_{STG}$	-55°+250°C
Thermal resistance, junction to case for a device with a maximum forward volt-drop characteristic		$R_{jc}$	0.45°C/W



All Dimmensions are Nominal  
except where indicated

Mounting Torque: 2.8 - 4.5N.m

**SES816 Normal Stud Cathode - SES817 Reverse Stud Anode**